

Model GC51 Rangeable Pressure Transmitter



ACTUAL SIZE



LOOK FOR THIS
AGENCY MARK ON
OUR PRODUCTS

FEATURES:

- Up to 8 times smaller than a conventional process transmitter
- Robust NEMA 4X (IP65) aluminum die cast housing
- Bright backlit LCD display
- All stainless steel wetted parts
- 2 wire 4-20mA
- Internal "Push Button" configurability allows quick range changes
- Scaling function allows display to indicate arbitrary physical units
- "Loop Check" function allows unit to output 4-20mA without applying pressure
- "Min / Max Hold" function allows display to capture pressure events
- Easily rotatable display, 90° increments
- Key Lock

APPLICATIONS:

The GC51 utilizes Ashcroft's proven polysilicon thin film sensor which makes the design suitable for applications where high overpressure and high cycle life are necessary, typically required in;

- Pump Control
- Hydraulic Systems
- Compressor Control
- Process Automation
- Municipal Water Tank Level

PERFORMANCE SPECIFICATIONS

Reference Condition: 23°C ±2° (73°F)

Accuracy: ±0.25% FS (URL)
(Accuracy includes the effects of linearity, hysteresis, and repeatability)

Stability: ±0.25% FS/year

Response Time: 30msec

Output Resolution: 0.1% FS (URL)

Display:

Type: 4 digit, 10mm LCD with LED backlight
Accuracy: ± 0.25% FS (URL) + last digit

Standard Ranges (Compound):

-15 to 15psi, -15 to 30psi, -15 to 50psi

Standard Ranges (Gauge):

0-50psi, 100psi, 150psi, 300psi, 500psi, 1000psi,
1500psi, 3000psi, 5000psi, 7500psi

ENVIRONMENTAL SPECIFICATIONS

Temperature Limits

Storage: -20 to 70°C (-4 to 158°F)

Operating: -10 to 60°C (14 to 140°F)

Compensated: -10 to 60°C (14 to 140°F)

Temperature Effects (-10 to 60°C):

±0.02% FS (URL)/°C from 23°C reference

FUNCTIONAL SPECIFICATIONS

Overpressure (F.S.):	Proof	Burst
1500psi and below	200%	500%
3000, 5000psi	150%	300%
7500psi	120%	150%

Vibration: 5g's 150Hz

Shock: 10g's 16ms

ELECTRICAL SPECIFICATIONS

Output Signal: 4-20mA (2 Wire)

Supply Voltage: 12-32Vdc

Rangeability / Adjustment*:

Zero -10% to +110% FS

Span -10% to +110% FS

*Note: Accuracy and output resolution based upon full scale (URL) value

Insulation Resistance: 50Vdc (>100Mohms)

CE Compliance: EN 613261 1997, A1/1998, A2/2001
(Heavy Industrial)

MECHANICAL SPECIFICATIONS

Pressure Connection:

- ¼ Female NPT (Std.)

Enclosure: Aluminum, epoxy coated

Rating: IP65 / NEMA 4X

Electrical Connection (Options):

- ¼ Female NPT Conduit

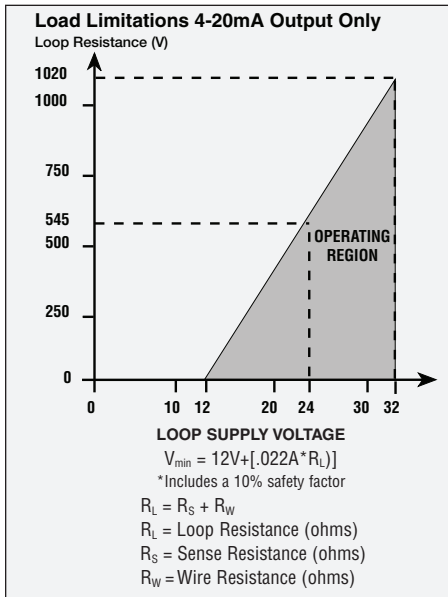
- Cable Gland (Cable Diameters 0.35" to 0.47")

Weight: Approx. 1.0 lb

Mounting: Mounting Bracket (see installation drawings on back)

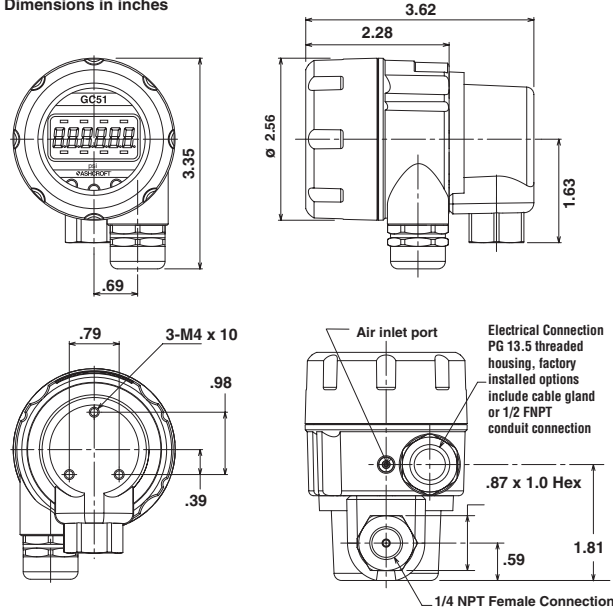
Media: Fluids and gases compatible with 316SS and pH17-4 stainless steel

Model GC51 Rangeable Pressure Transmitter

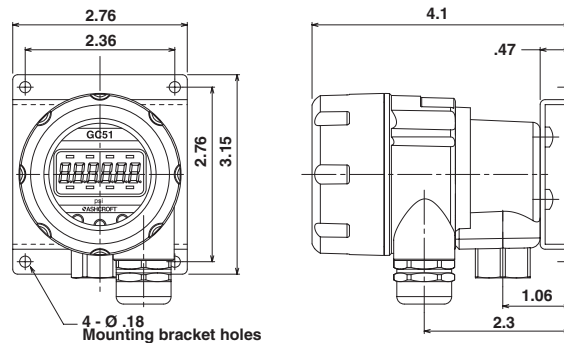


Dimension Drawings

Dimensions in inches



Installation Drawings



How To Order

<table border="1" style="width: 100%;"> <tr> <td style="text-align: center;">G</td> <td style="text-align: center;">C</td> <td style="text-align: center;">5</td> <td style="text-align: center;">1</td> </tr> </table> <p>Type Configuration (GC51)</p>	G	C	5	1	<table border="1" style="width: 100%;"> <tr> <td style="text-align: center;">7</td> </tr> </table> <p>Accuracy (7) ±0.25% FS</p>	7	<table border="1" style="width: 100%;"> <tr> <td style="text-align: center;"> </td> <td style="text-align: center;"> </td> </tr> </table> <p>Pressure Fitting* (F02) 1/4 FNPT</p>			<table border="1" style="width: 100%;"> <tr> <td style="text-align: center;"> </td> <td style="text-align: center;"> </td> </tr> </table> <p>Output Signal (42) = 4-20mA</p>			<table border="1" style="width: 100%;"> <tr> <td style="text-align: center;"> </td> <td style="text-align: center;"> </td> </tr> </table> <p>Electrical Connection (CG) = Cable Gland (CD) = 1/2" FNPT Conduit</p>			<table border="1" style="width: 100%;"> <tr> <td style="text-align: center;"> </td> <td style="text-align: center;"> </td> <td style="text-align: center;"> </td> <td style="text-align: center;"> </td> </tr> </table> <p>Pressure Range (Compound) 15#&VACG = Vac-15psi 30#&VACG = Vac-30psi 50#&VACG = Vac-50psi</p> <p>Pressure Range (Gauge) 50#G = 0-50psi 100#G = 0-100psi 150#G = 0-150psi 300#G = 0-300psi 500#G = 0-500psi 1000#G = 0-1000psi 1500#G = 0-1500psi 3000#G = 0-3000psi 5000#G = 0-5000psi 7500#G = 0-7500psi</p>					<table border="1" style="width: 100%;"> <tr> <td style="text-align: center;">X</td> <td style="text-align: center;"> </td> <td style="text-align: center;"> </td> </tr> </table> <p>Optional X-Variations XRH 9 pt. NIST traceable calibration certificate X6B Oxygen cleaned</p>	X		
G	C	5	1																					
7																								
X																								
<p>*To obtain optional 54mm conversion joint for 3-way manifold order part number 141A444-01.</p>																								